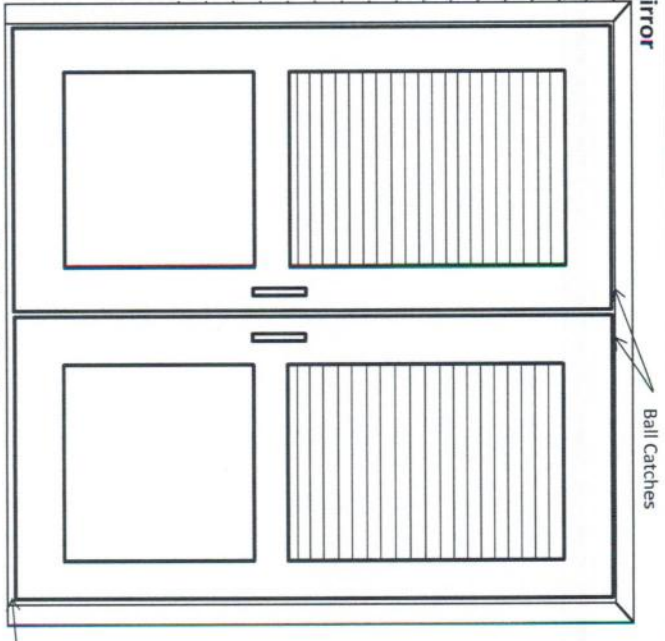


Project: **Marriott International - Courtyard**

ALCO-MAG Pair Louver Doors with Mirror

Specification Sheet

DOOR	<i>Dimensions:</i>	Various Widths and Heights, 1-3/8 Thick
	<i>Design:</i>	Crown Louver Over Panel w/ MDF Overlay and Mirror on One Slab
	<i>Mirror:</i>	3.4 mm Thick, w/ Safety Backing See Attached for Details
JAMB	<i>Style:</i>	HM2277 Steel Knock Down Frame
	<i>Species:</i>	Steel, 16ga, Painted Crisp Linen 721-5422
	<i>Dimensions/Preps:</i>	See attached
HARDWARE	<i>Hinges:</i>	6 - 3.5"x3.5" 5/8" Radius/Square Hinges US26D Finish ALCO-HP124 3-1/2" Hinge Pin US26D Finish
	<i>Closing:</i>	ALCO-2W Ball Catch, US26D Finish JGE # 2375-160 Hand Pull, US26D Finish



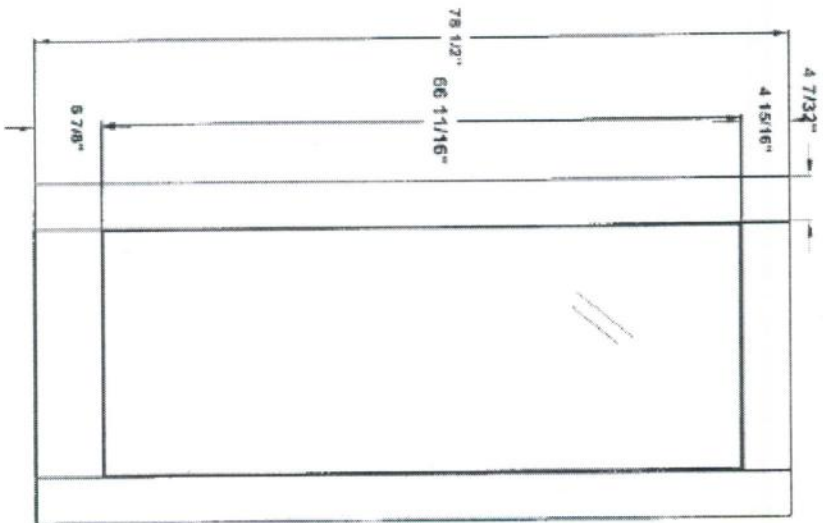
*Illustration not to scale.

7/8" Undercut is standard.

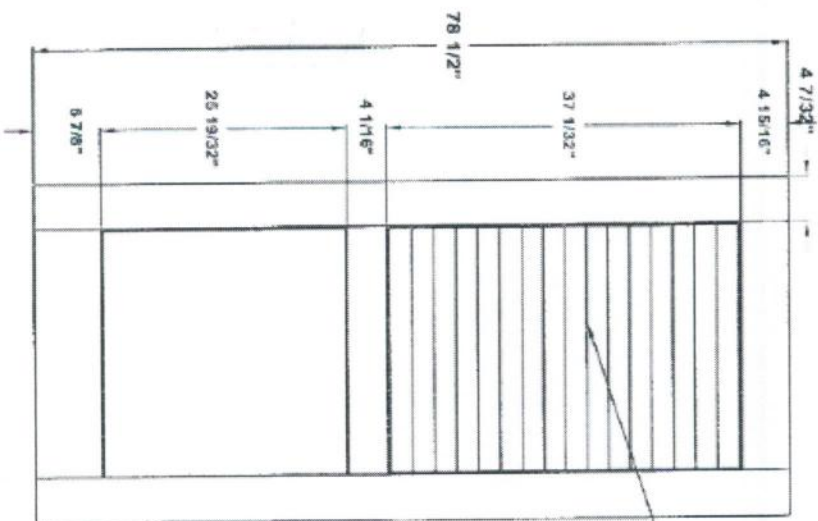
See Attached Pages For ALL Details

Sign Off When Approved:

BACK



FRONT



Specification sheet

Title

Half Plantation Louver door with mirror

Height

78-1/2

Creation date

07-06-2012

Prep by

M/L

Revision date

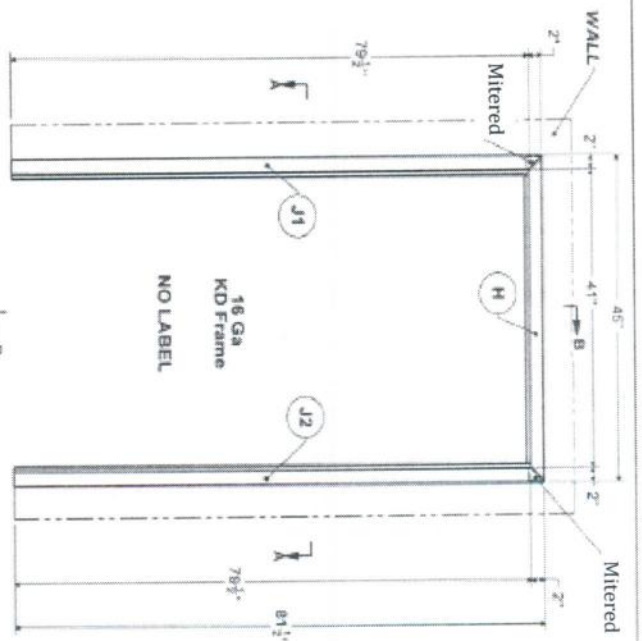
Rev

Scale

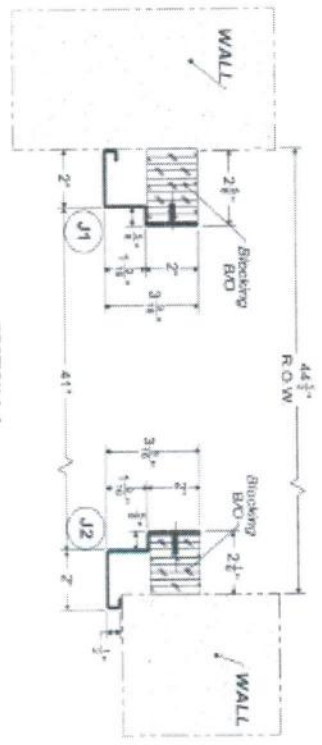
NTS

ALCO DOORS
A DIVISION OF
AMERICAN LUMBER CORPORATION

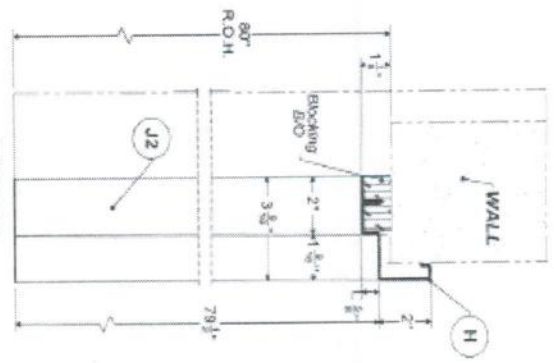
M4G.138



ELEVATION



SECTION A-A



SECTION B-B

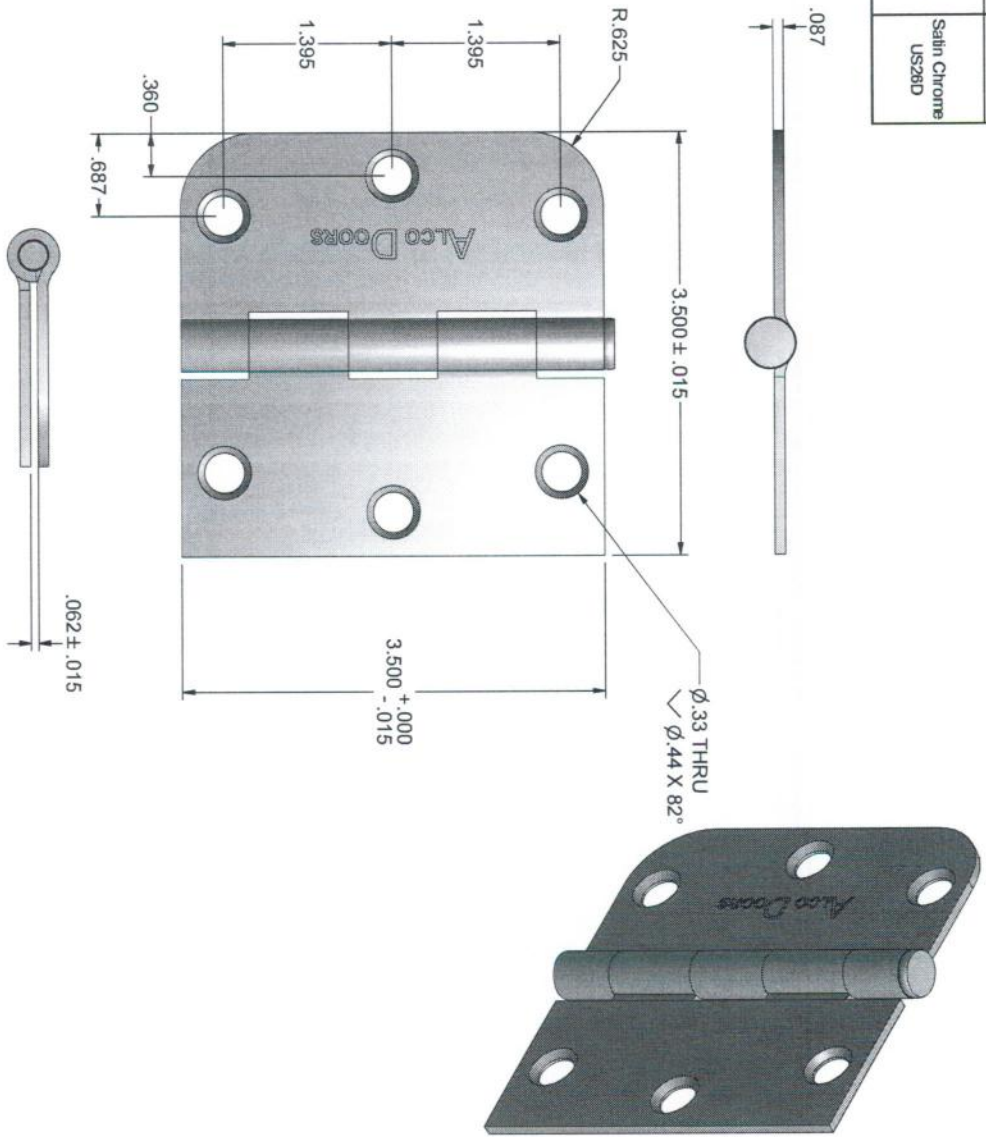
NOTE:
 - Pair Swing Typical;
 - Hardware Prep (3) 3/16x3/16 Burt Hinges Square Corner;
 - Attach Jambos and Head with #8 Flat Head Screws, B/O.

ALCO DOORS MANUFACTURING

DRAWN OK	CHECKED KA	DATE 7/5/2012	JOB # 12-705
-------------	---------------	------------------	-----------------

Code	Unit Pack	Qty /		Units / Inner	Units / Master	Component	Material	Finish
		Unit	Unit					
Proj 12-3	Bulk	6	6	50	50	Hinge Assembly #12-24 x 1/2" Phillips Flat Undercut Head Machine Screw #12-11 x " Phillips Flat Head Sheet Metal Screw, T17 Flycut	Steel	Satin Chrome US28D

Drawing, Submitted for your Approval of Revision			
Approved as Submitted:		Submitted On:	7/20/2012
Approved As Noted			
Not Approved			
Date:	7/20/2012	Signed:	
Comments:			



This drawing and all associated component files are the sole property of Ultra Hardware and contains confidential, privileged and patented information. Any reproduction of this drawing is not permitted without written approval from Ultra Hardware management.

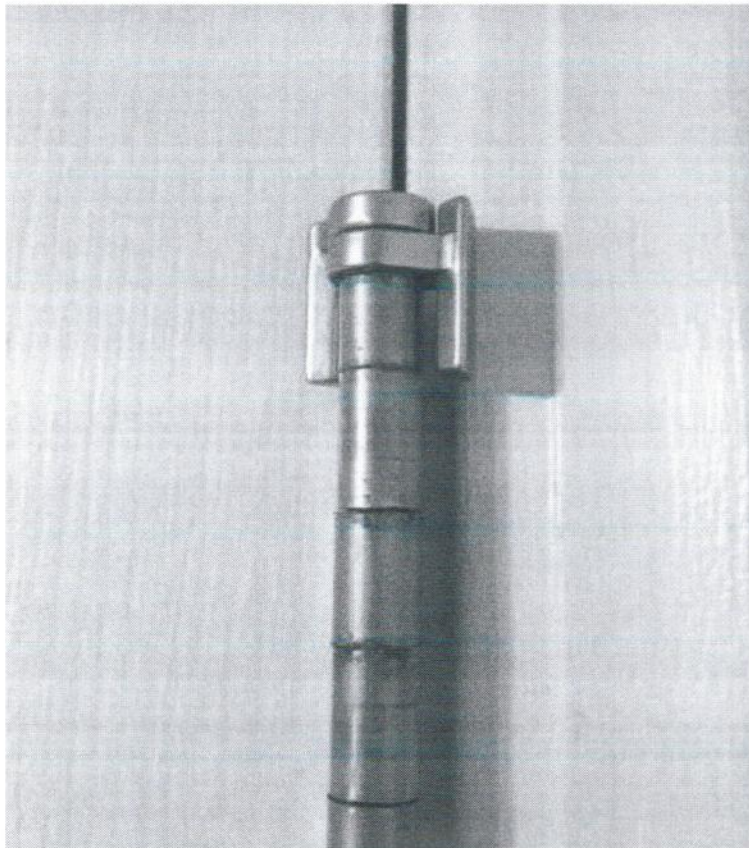
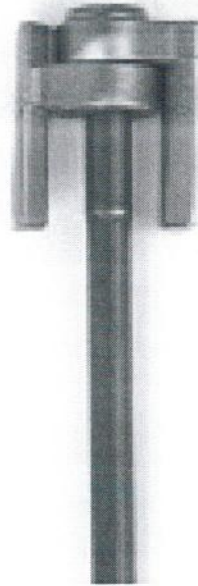
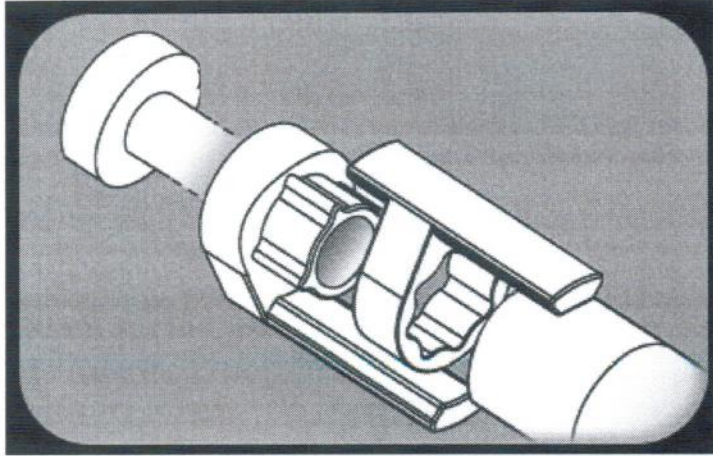
Unless otherwise specified:
 1) All Dimensions given in inches
 2) Tolerances:
 Angular: ± 0.5°
 Decimal: XX = ± 0.1
 XXX = ± 0.015
 XXXX = ± 0.005

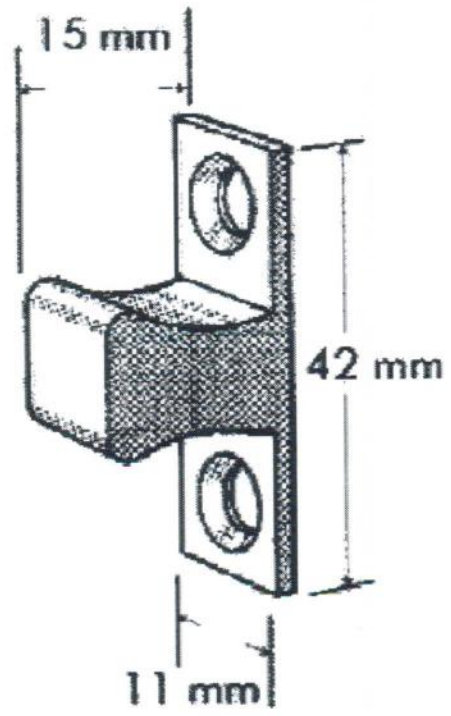
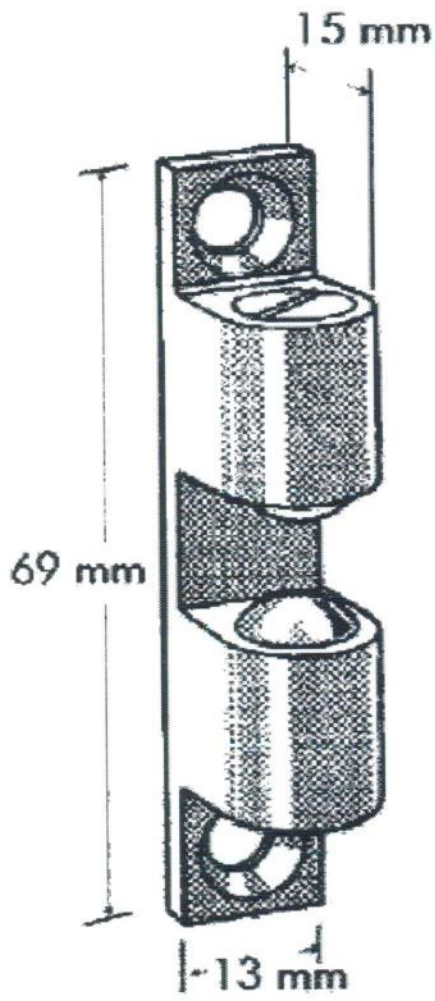
DRAWN	CHECKED	DATE
KAS		7/18/12
QA		
MFG		

TITLE		SIZE	SCALE	DWG NO	SHEET	OF	REV
3.5" RP Rad/SQ Template Pattern Hinge		B	AS Noted	Proj 12-3	1	1	

Copyright 2006
 Ultra Hardware Products, LLC
 All Rights Reserved

4 3 2 1





Home | About | Products | Contact | Subr



furniture hardware and stone products s

Decorative Hardware

Panel Stay Plates

Hospitality Stone

Functional H

Cast Brass Pulls

Bar Pulls
Birdcage Hardware

Bronze
Wooden Hardware

Glass Knobs and Pulls
Knobs

Aluminum

PULLS



Image is not to full scale.
Actual pull is larger than this photograph.

JGE #2375-160 Drawer Pull, Matte Chrome

Finish: Matte Chrome

Overall Length: 7-1/8 in. (181mm)

Projection: 1-5/8 in. (41mm)

Material: Zinc Alloy

Mounting Holes: 6-5/16 in. (160mm)

Style: Transitional

>> 1 2 3 4 5 6 7 8 9 10 11 12 13 14 15 16 17 18 19 20 2

Decorative Hardware | Panel Stay Plates | Hospitality Stone | Functional Hardware

8901 Kelso Drive, Baltimore, MD 21221 | tel. 410-918-1200 | fax. 410-918-0964
Copyright ©2012 J.G.Edelen Company Inc. All Rights Reserved.